

1/2" NAMUR

C9 Series

Product Bulletin 193
July 2017

The C9 NAMUR is the newest addition to the Versa NAMUR line of valves. The C9 is a 1/2" NPT ported NAMUR configured valve designed to provide higher flow to larger rack and pinion actuators.

The C9 is a solenoid pilot operated valve available as single or double solenoid 2-position or 3-position valve.

A complete selection of electrical connections, area classifications, and power requirements makes the most exacting and demanding specifications or applications easy to satisfy.

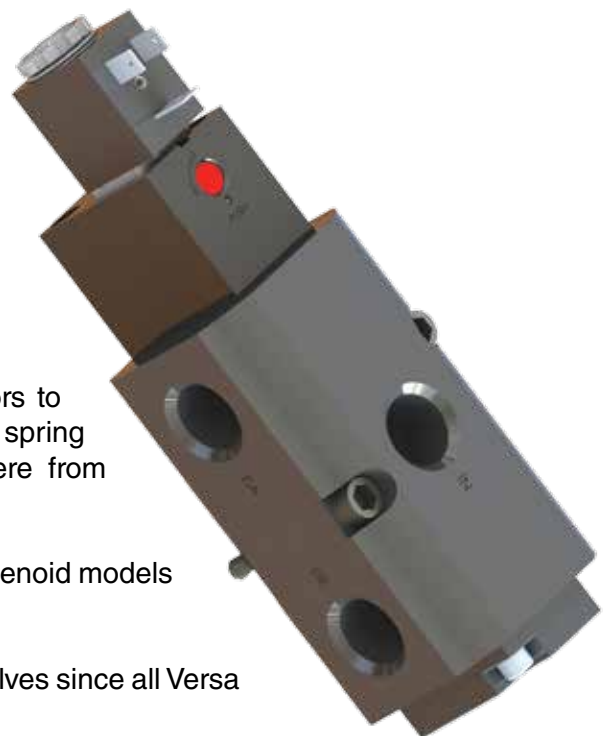
The C9 NAMUR valve is available as either 4-way (for double acting actuators) or 3-way (for spring return or fail-safe actuators). This valve is field convertible, requiring no special tools, gaskets, or sealants.

Relocation of a port plate converts a 3-way to a 4-way, or a 4-way to a 3-way. When the 4-way valve is converted to 3-way function, an internal drilling provides an integral ReBreather function to prevent contaminants from entering the actuator.

The ReBreather function is used on single acting actuators to utilize air from the exhaust cycle of the piston side to fill the spring side of actuator, preventing corrosive external atmosphere from entering the spring side.

Single solenoid models (for 2-position control) or double solenoid models (for 2 or 3-position control) are available.

Actuator positioning is possible with the use of 3-position valves since all Versa C9 NAMUR valves are bubble tight.



Function: 4-Way (or 3-Way convertible) 2 or 3 position
Flow Rate: Cv = 3.5
Port Size: Inlet and exhaust: 1/2" NPT (actuator ports, O-ring sealed)
Media: Pneumatic only, Lubricator not required
Pressure: 30 to 150 psi (1.8 to 10.3 bar), Single solenoid, spring return 15 to 150 psi (1.0 to 10.3 bar), Double solenoid, detent
Temperature: -4 to 122° F (-20 to 50° C), Media and ambient

Materials:	
Valve body/Plunger:	Aluminum
Valve seals:	FKM (fluorocarbon)
Screws:	Stainless steel
Solenoid internal parts:	400 type stainless steel
Coil/solenoid housing:	per solenoid option selected.
Mounting:	Direct Mounting on NAMUR interface. Can be mounted in any position
Mounting Screw:	M6 or 1/4"

C9 NAMUR Ordering Information

PART NUMBER SELECTION GUIDE

CGS-4532-NB1-M-228L-D024

Valve Function (Field Convertible)

CGS-4532	4-Way, 2 position single solenoid, spring return
CGG-4532	4-Way, 2 position double solenoid, detented
CXX-4533	4-Way, 3 position double solenoid, blocked spring center
CXX-4534	4-Way, 3 position double solenoid, cylinder ports open, spring center
CSG-3532	3-Way, 2 position NO, single solenoid, spring return
CGS-3531	3-Way, 2 position NC, single solenoid, spring return
CGG-3532	3-Way, 2 position double solenoid, detented
CXX-3533	3-Way, 3 position double solenoid, blocked spring center

Mounting Screws

NB1	M6 - 10
NB2	¼" - 20

Override Options

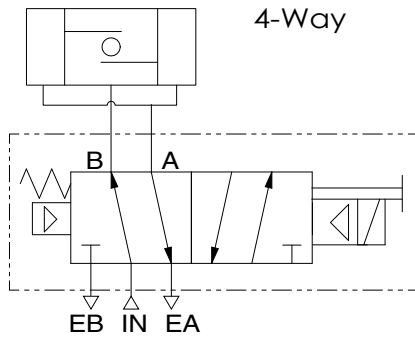
None	Push, turn to lock, guarded
M	Push, un-locking, un-guarded
CML	Push, turn to lock, un-guarded

Voltage

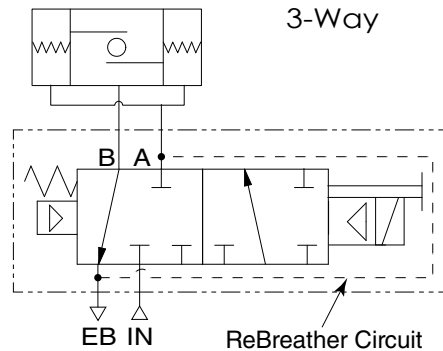
D012	12vdc	A024	24/60
D024	24vdc	A120	120/60
D048	48vdc	A240	240/60

Electrical Options

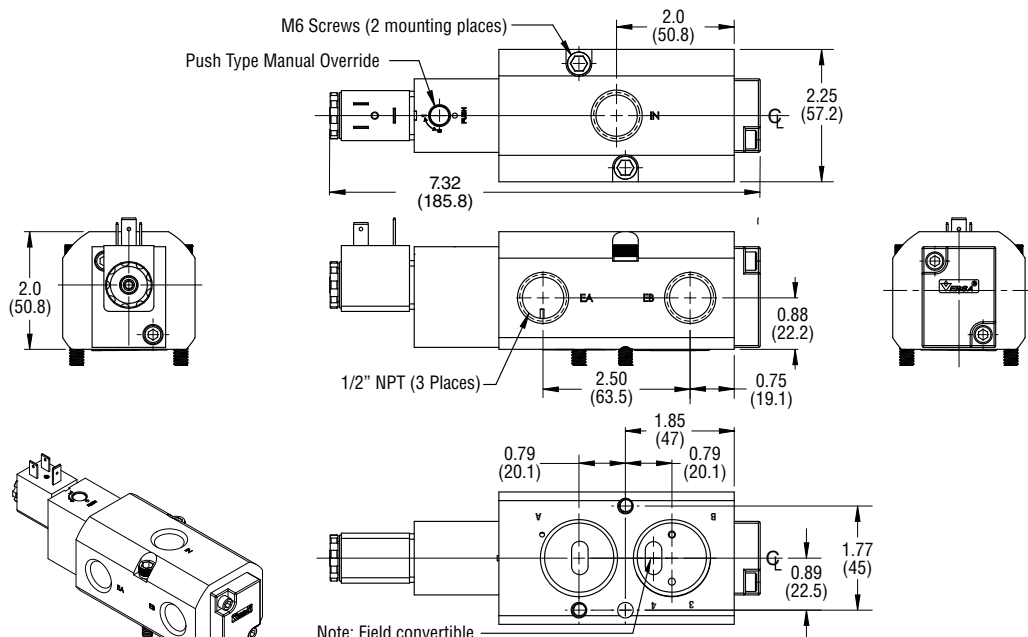
None	Spade terminals
HC	DIN connector
228L	½" conduit
C50	½" NPT conduit, plated steel coil housing
PC	½" NPT conduit, NEMA 4 & 4X, plated steel coil housing
243	Flying leads
XX	½" NPT conduit, plated steel coil housing, Hazardous Location



4-Way



3-Way



Note: Field convertible.
For a 4-Way Function the plug slot is location "4" (as shown).
For a 3-Way Function the plug slot is location "3".

Inch
mm