

Direct Acting NAMUR D-316 Series

The D-316 NAMUR is the newest addition to the Versa NAMUR line of valves. The D-316 is a direct acting 3-Way NAMUR valve.

Direct Acting Solenoid Design

The D-316 solenoid valves utilize a high performance direct acting solenoid for the perfect balance of flow, power and size. A complete selection of electrical connections, area classifications and seal materials makes the most exacting and demanding specifications or applications easy to satisfy.

Poppet

Universal high flow balanced poppet design is maximized through a unique sealing design. The balanced design assures no false shifts due to pressure spikes regardless of application pressures. Universal flow provides both 3-Way NO or NC in one valve.

ReBreather

The D-316 NAMUR valve is available as a 3-way. An internal drilling provides an integral ReBreather function. ReBreathers are used on single acting actuators to utilize air from the exhaust cycle of the piston side to fill the spring side of actuator, preventing corrosive external atmosphere from entering the spring side.

Valve/Conduit Positioning

Solenoid housing rotates 360° without need for tools, disassembly or valve re-adjustment. The D-316 high performance valve can be mounted in any orientation for simplified installation and connection.



Function:	3/2, 3-Way, 2 Position, universal flow
Actuators:	Single solenoid, spring return Latching Reset available (consult factory)
Flow Rate:	Cv = 0.8 Cv
Port Size:	Inlet and exhaust: 1/4" NPT (actuator ports, O-ring sealed)
Media:	Pneumatic, Air and Hydraulic
Pressure:	vac to 175 psi (vac to 12 bar)
Temperature:	+4 to 122° F (-20 to 50° C), Media and ambient -40°F to 194°F (-40°C to 90°C), low temp buna option -44

Materials:	
Valve body/Plunger:	316L Stainless steel
Valve seals:	FKM (fluorocarbon)
Screws:	Stainless steel
Solenoid Enclosure:	316L stainless steel
Mounting:	Direct Mounting on NAMUR interface
Mounting Screw:	10-24, 10-32, or M5

D-316 NAMUR Ordering Information

Valve Type - Options

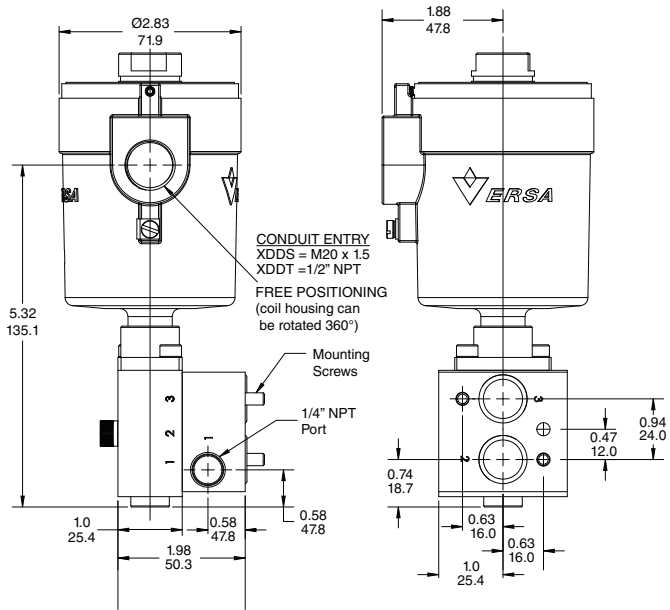
Valve Type & Options	Part Number	Weight
Solenoid Operated-Spring Return	DSM-3311-316-NE*-XDD**-(†)	5.1 lbs (2.3 kg)
Solenoid Operated-Spring Return with Non-locking Override	DSM-3311-316-NE*-M-XDD**-(†)	5.2 lbs (2.4 kg)
Solenoid Operated-Spring Return with Locking Override	DSM-3311-316-NE*-M5R-XDD**-(†)	5.2 lbs (2.4 kg)

*For mounting screw selection use: NE1 = 10-24, NE2 = 10-32, NE3 = M5.

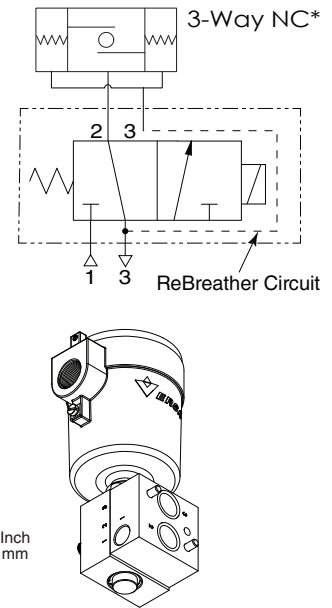
**Select Suffix Number; XDDS for M20 conduit hub or XDDT for ½" NPT conduit hub. See "Solenoid Type" chart below.

†Select voltage (see "Ordering Code" chart below).

Dimensions



Flow Symbol



*For Normally Open (NO) rotate valve 180° and pipe inlet port to "3" port.

Solenoid Specifications

Coil class:	H Class
Surge protection:	None, standard Diode, suffix -303D. DC only Metal-oxide varistor (MOV), suffix -303. AC or DC
Connections:	½" NPT or M20 conduit hub (see below)
Ingress protection:	IP66/67/68 & NEMA 4, 4X & 6P

Voltage	Power	Ordering Code		
		DC	AC 60 Hz	AC 50 Hz
12 VDC	2.6 watts	-D012	—	—
24 VDC		-D024	—	—
125 VDC		-D125	—	—
110/120 VAC	3.1 watts	—	-A120	-E110
220/240 VAC		—	-A240	-E220

Solenoid Type	Suffix Number	Rating	Agency	Connection
World Solenoid	-XDDS	Ex II 2 G D Ex d IIC T4 Gb Ex tb IIIC IP66 T4 °C Db CI, I Zn 1, A/Ex d e IIC CI, II, Zn 21, AEx iD A21, T4 °C	ATEX IECEX c CSA _{US}	M20
World Solenoid with North American rating	-XDDT	Ex II 2 G D Ex d IIC T4 Gb Ex tb IIIC IP66 T4 °C Db Ex d IIC T4, CI I, Zn 1, AEx d IIC T4 Zone 21, AEx tb IIIC T4 Db Type 4X, 6P, IP66/68 CI I Div 1, Grps B, C & D CI II Div 1 Grps E, F & G CI III T4 CI I Div 2, Grps A, B, C & D T4	ATEX IECEX c CSA _{US}	½" NPT