

D-316 Series Modular Air Package

D-316 Series Modular Air Package

Versa Products' D-316 Series Modular Air Package (DMAP) consists of the most common pneumatic components and accessories utilized in the valve automation industry. A DMAP system consists of a filter/regulator, gauge and directional control valve all in one. DMAP is a simplified version of the successful VMAP system offering a cost effective complete package for basic valve control systems.

Trouble free installation! The DMAP package is assembled and tested at the factory assuring smooth installation and start up.

DMAP is a 1/4 inch, 316L stainless steel construction with Viton seals. The DMAP overall design reduces size and weight while is maximizing flow and is the smallest 1/4" package available on the market today.

Cost reduction is one of DMAP's key advantages. The DMAP systems are easily specified, shortening engineering design time while eliminating the usual fittings and tubing required for a standard valve and regulator system.

DMAP is based on Versa's field proven D-316 and AR Series. All inter-component connections utilize "O"-ring interface sealing reducing potential leakage points. The combination of D-316 & AR reliability, "O" ring



sealing and a simple design principal all provide a reliable and easily maintained product.

Modular Concept

The basic DMAP system is made of two configurable modules. Module one is the air preparation module consisting of filter/regulators, gauges and drains. Module two is the control valve module consisting of many different variations of 3-way control valves.

The Air Prep Module consists of filter/regulators, gauges and drains. Based on Versa's AR-316 Series this proven design is small, high flow, simple and configurable. Regulators are equipped with tamper proof adjustment locknut. A manual drain is standard however an auto drain can be easily specified as an option.

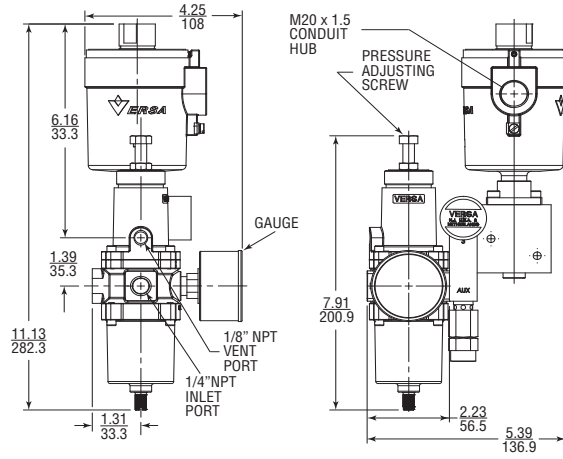
The Control Valve Module is based on Versa's D-316 Series. This proven design is small, yet yields high flow. D-316 valves are also simple and configurable in design. The D-316 Series has become a leader in the 1/4" size control package market. Furthermore, the D-316 Series is available as a solenoid, in almost every classification or latching configuration.

Modular System		Regulator*		Valve*	
Media:	Air, gas	Pressure Standard:	10 to 100 psi (0.7 to 6.9 bar) or 15 to 150 psi (1.0 to 10.3 bar)	Action:	Single solenoid-spring return
Pressure:	290 psi. (20 bar), max inlet	Filter:	25 micron 40 & 5 micron (optional)	Function:	3/2 3-way NC, 2-position
Flow:	0.8 Cv	Port Size		Port Size	
Temperature		Inlet	1/4" NPT	Outlet:	1/4" NPT
Standard:	5° F to 180° F (-15° C to 82° C)	Gauge:	1/4" NPT	Exhaust:	1/4" NPT
Optional:	-58° F to 194° F (-50° C to 90° C)	Vent:	1/8" NPT	Inlet:	1/4" NPT AUX port
Materials		Drain:	Manual Drain Auto drain (optional)	Certifications:	See below
Body:	316L stainless steel				
Seals:	Fluorocarbon				

*For NACE compliance consult factory

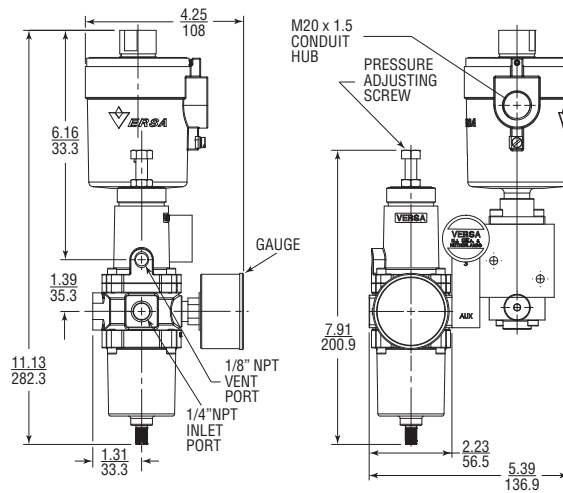
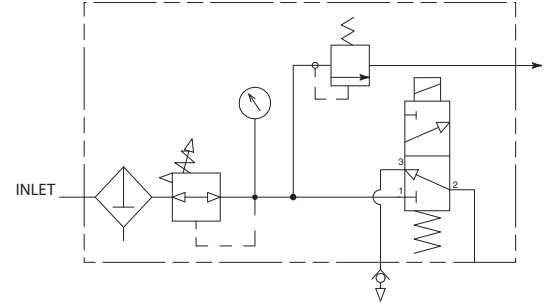
Agency Approvals				
Solenoid Type	Suffix Number	Agency Rating	cCSA _{US}	Connection
		ATEX IECEx		
World Solenoid	-XDDS	Ex II 2 G D Ex d IIC T4 Gb Ex tb IIIC IP66 T4 °C Db	CI, I Zn 1, A/Ex d e IIC CI, II, Zn 21, AEx tD A21, T4 °C	M20
World Solenoid with North American rating	-XDDT	Ex II 2 G D Ex d IIC T4 Gb Ex tb IIIC IP66 T4 °C Db Ex d IIC T4, CI I, Zn 1, AEx tb IIC T4 Zone 21, AEx tb IIIC T4 Db Type 4X, 6P, IP66/68	CI I Div 1, Grps B, C & D CI II Div 1 Grps E, F & G CI III T4 CI I Div 2, Grps A, B, C & D T4	1/2" NPT

DMAP Ordering Information



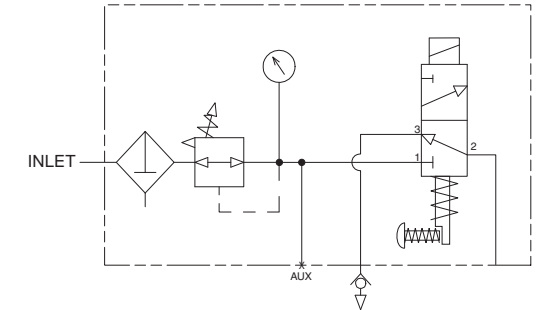
Bill of Materials

Description	Part Number
Regulator	ARFB-3112-316-CA3-GB
Valve	DSM-3301-316-DA3-XDDS-A120
Dust Excluder	DE-3-316
Relief Valve	RV-3-316-100



Bill of Materials

Description	Part Number
Regulator	ARFB-3112-316-DA3-GB
Valve	DSM-3301-316-DA3-XDDS-356BN-A120
Dust Excluder	DE-3-316



Air Prep Selection

Regulator, Filter and manual drain*	Description	Part Number		Weights	
		0-100 psi	0-150 psi	lbs	kg
	No gauge	ARFB-3112-316-CA3	ARFB-3111-316-CA3	2.7	1.22
	2" gauge liquid filled**	ARFB-3112-316-CA3-GBG	ARFB-3111-316-CA3-GBG	2.9	1.32
	2 1/2" gauge liquid filled**	ARFB-3112-316-CA3-GAG	ARFB-3111-316-CA3-GAG	2.9	1.32

*For Auto Drain change ARFB to ARDB **For non liquid filled gauges use -GA or -GB

Control Valve Selection

Description	Part Number	Weight
Solenoid Operated-Spring return	DSM-3301-316-DA3-†-(††)	5.1 lbs (2.3 kg)
Solenoid Operated-Spring return with Non-locking override	DSM-3301-316-DA3-M-†-(††)	5.2 lbs (2.4 kg)
Solenoid Operated-Spring return with Locking override	DSM-3301-316-DA3-M5R-†-(††)	5.2 lbs (2.4 kg)
Solenoid Operated-Spring return with Latching reset	DSM-3301-316-DA3-356BN-†-(††)	5.4 lbs (2.4 kg)
Solenoid Operated-Spring return with Latching reset and manual button	DSM-3301-316-DA3-356B-†-(††)	5.6 lbs (2.5 kg)

†Select Suffix Number; XDDS for M20 conduit hub or XDDT for 1/2" NPT conduit hub. See "Agency Approvals" chart on front page.

**Select voltage from "Voltage/Code" chart right.

Option Selection

Description	Part Number	Weights	
		lbs	kg
Mounting bracket	Add 4302-99-316-DA3 to bill of Material	0.5	0.23
Relief Valve (also specify Aux port plate)	Add RV-3-316-††† to bill of Material	0.2	0.09
Speed Control, close only	Add suffix -BC3 to Control Valve p/n	0.1	0.05
Speed Control, both open closed	Add FCV-3-316	0.5	0.23
Exhaust Dust Excluder	Add DE-3-316 to bill of Material	0.2	0.09

Voltage	Code
12 VDC	D012
24 VDC	D024
125 VDC	D125
120 Volt 60 Hz	A120
110 Volt 50 Hz	E110

†††Add relief valve pressure in psi.