

ARH-316 SERIES

High Pressure Stainless Steel Regulator

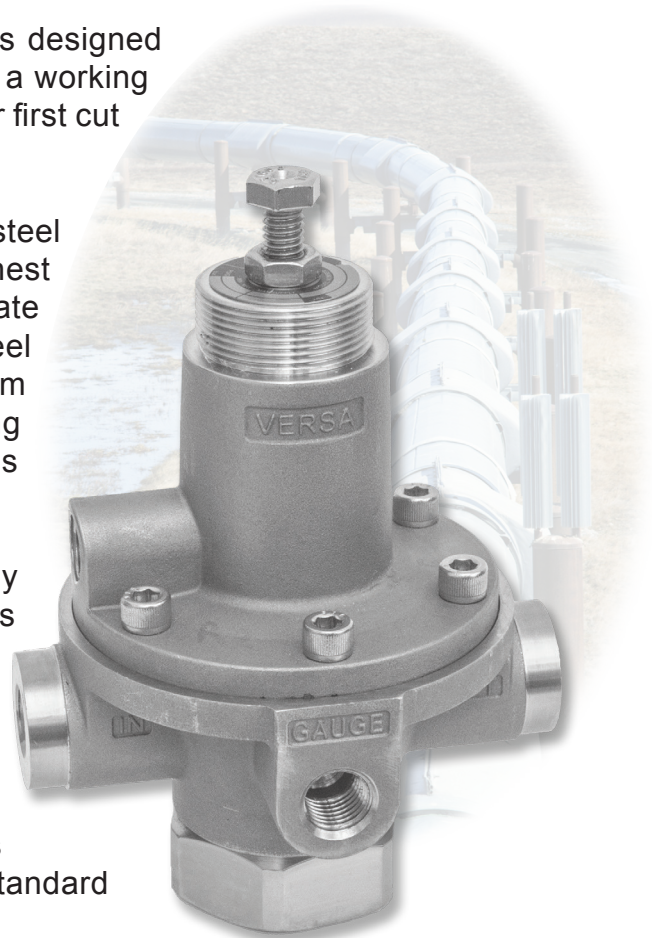
Versa's single stage, high pressure regulator is designed to accept up to 6000 psi input and reduce it to a working range of 10 to 500 psi. Making the ARH ideal for first cut Natural Gas high pressure regulator.

The Type ARH-316 Series of stainless steel regulators are designed to stand up to the harshest environments while providing highly accurate pressure regulation. Proven 316L stainless steel housing assembly and stainless steel diaphragm make the ARH-316 ideal for challenging applications such as pipelines, offshore platforms and sour gas media.

This quality instrument is economical to buy as well as operate. The ARH-316 provides extremely stable and repeatable control of gas pressure.

The all 316L stainless steel construction is ideal for sour gas and/or corrosive environments and is NACE Compliant, meeting sulfide stress cracking material requirements for NACE Standard MR0175.

The combined characteristics of high flow and minimal air consumption mean efficient economical operation.



ARHB-3221-316
(side ported model shown)
VMAP Capable

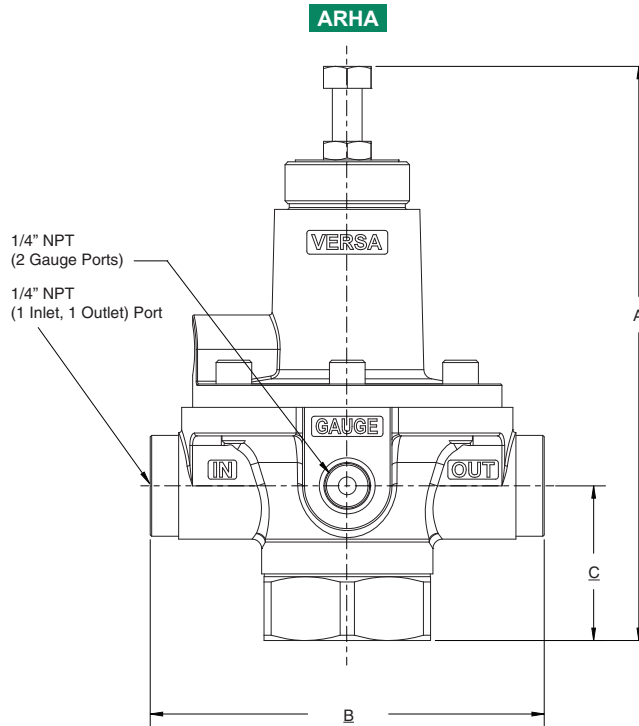
Filter:	40 mesh	Pressure Supply Max:	6000 psig (414 BAR)	Materials:	
Port Size:		Output Ranges:	10-70 psig (0.69-5.2 BAR)	Body:	316L Stainless steel
Inlet / Outlet	1/4" NPT		50-150 psig (3.4-4.10.3 BAR)	Diaphragm:	Stainless Steel
Gauge (2)	1/4" NPT		100-250 psig (6.9-17.2 BAR)	Seals:	FKM (fluorocarbon) (standard)
Media:	Pneumatic/ Natural Gas	Temperature:	5°F to 180°F (-15°C to 82°C) std		Ethylene Propylene (-EP) (optional)
Flow rate:	0.14 Cv		-65°F to 300°F (-51°C to 149°C) -EP	Valve spring:	Nitrile (-44) (optional)
			-20°F to 200°F (-29°C to 93°C) -44	Name plate:	316 Stainless steel

316 Stainless Steel Regulator Ordering Information

		Regulator
		Non Relieving
Size	Pressure	Part Number
1/4"	10-75	ARHB-3321-316-†
	50-150	ARHB-3322-316-†
	100-250	ARHB-3323-316-†
	200-500	ARHB-3324-316-†

* For NACE Compliance change ARHB to ARHA.
 † Suffix option(s) added here as required. See Suffix Options below.

While due care was exercised in preparing this document, Versa Products Company, Inc. shall not be liable for any inaccuracies or omissions. Specifications Subject to change without notice.



††WARNING. Non-Relieving regulators should have a pressure relief valve installed down stream of regulator on dead ended services. This device will prevent excessive build up of pressure protecting systems and components down stream of regulator.

Repair Kits

Part Number	Description
ARH-RK	Regulator Kit, 1/4"
ARH-FK-40	Filter Kit, 1/4" 40 mesh

Dimensions

Type	Port Size (NPT)	Weight		A		B		C	
		lbs	kg	Inch	mm	Inch	mm	Inch	mm
ARH	1/4"	8	3.6	6.03	153	4.14	105.2	1.63	41.3

Suffix Options

Suffix detail	Description
-AB	Mounting kit, bracket and nut.
-APN	Panel mount nut
-2B	G thread
-125B	Plastic adjusting knob (black)
-EP	Low Temperature service, Ethylene Propylene
-44	Low Temperature service, low temp Buna
-VA	Regulator for VMAP installation